

IMAGE



MODEL

3855

H-version

SIZE

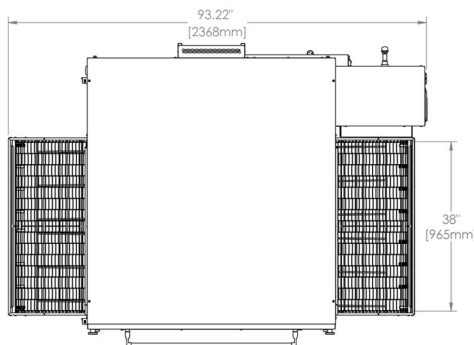
38" WIDE CONVEYOR  
55" LONG BAKE CHAMBER

TYPE

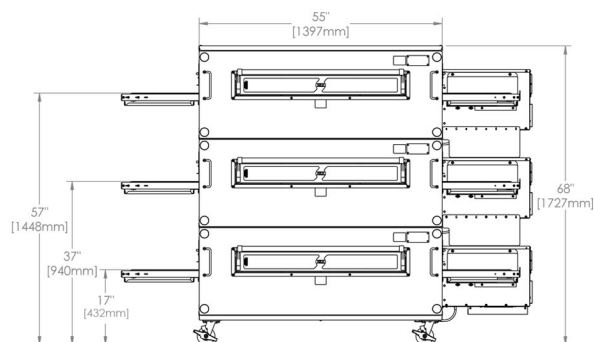
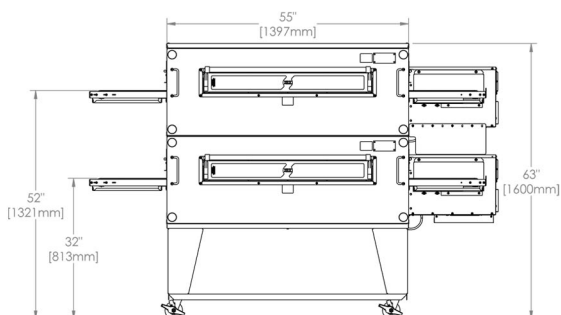
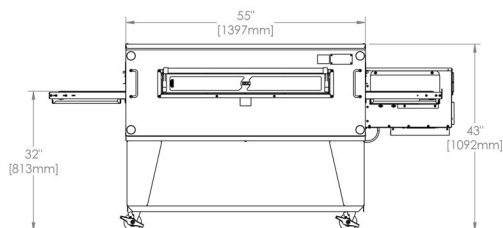
GAS & ELECTRIC



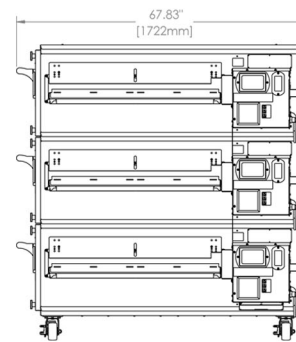
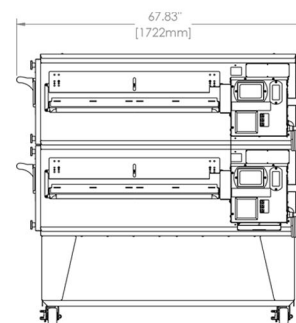
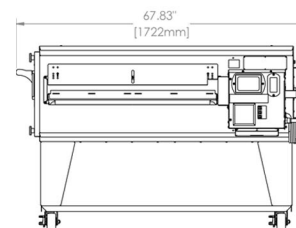
TOP VIEW



FRONT VIEWS



SIDE VIEWS



# 3855

MODEL

H-version



## DATA SHEET 3855H GAS OVEN

### Heating Value

Standard	World		
	Natural	Propane	Butane
140,000 BTU/Hr	41.03 Kw/Hr	41.03 Kw/Hr	44.54 Kw/Hr
	147.71 Mj/Hr	147.71 Mj/Hr	

### Electrical Requirement

Standard	World
120 VAC, 4.8 Amps, 50/60 Hz	220/230/240 VAC Option, 3 Amps, 50/60 Hz

### Inlet Pressure Range

	W/C	mbar	kPa	kPa (Korea)
Natural Gas	6-14	15-35	1.50 - 3.50	1.50 - 2.50
Propane Gas	11 - 14	27.5 - 35	2.75 - 3.50	2.30 - 3.30

### Manifold Pressure Range

	W/C	mbar	kPa
Natural Gas	3.5	8.75	0.875
Propane Gas	10	25	2.50

### Oven Weight

	Single (1 crate)		Double (2 crates)		Triple (3 crates)	
	lbs	kg	lbs	kg	lbs	kg
Oven Only	1065	483	1931	876	2994	1358

## 3855H ELECTRIC OVEN

### Electrical Requirement

	Standard	World
VAC	208/240 VAC	380/415 VAC
Amps	90/80 Amps	51/44 Amps
Hz	60 Hz	50 Hz
Wire Service	4 Wire Service - L1, L2, L3 +1 Ground (per oven)	5 Wire Service - L1, L2, L3 N+2 Grounds (per oven)
Phase	3 Phase	3 Phase
Kw	32 Kw	32/34 Kw

### Oven Weight

	Single (1 crate)		Double (2 crates)		Triple (3 crates)	
	lbs	kg	lbs	kg	lbs	kg
Oven Only	1090	494	1981	899	2830	1284

## OVEN & HOOD WARRANTY

USA & Canada (Parts & Labor)	International (Parts & Labor)
<b>10</b> Years   Oven & Hood Combo Purchase*	<b>7</b> Years   Oven & Hood Combo Purchase
7 Years   Standard	5 Years   Standard

\*Pre-piped ANSUL system must be purchased on each oven and hood



(316) 943-2751  
SALES@XLTOVENS.COM  
SERVICE@XLTOVENS.COM

WWW.XLTOVENS.COM  
24/7/365 LIVE TECHNICAL SUPPORT

