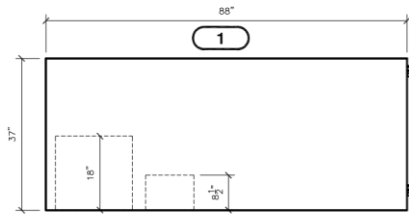
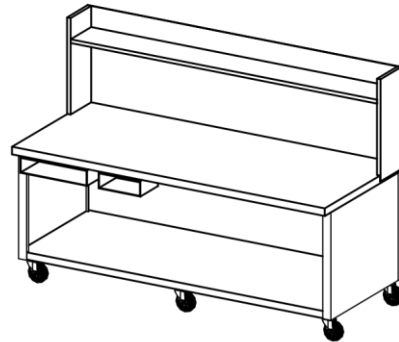


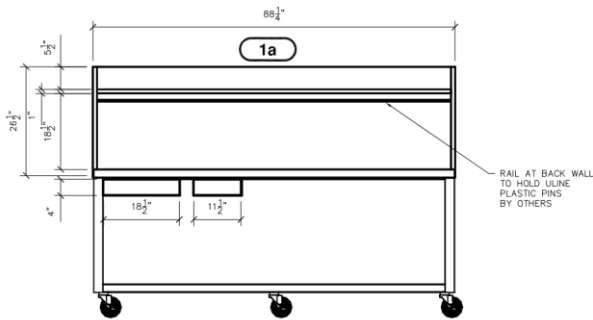
Cut/Box Counter



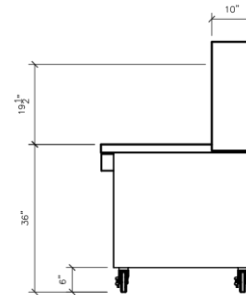
1 PLAN VIEW
1 3/8" = 1'-0"



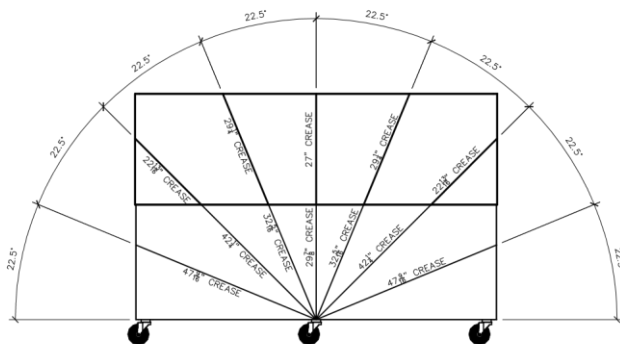
4 3D - PERSPECTIVE
1 NOT TO SCALE



2 ELEVATION VIEW
1 3/8" = 1'-0"



3 END VIEW
1 3/8" = 1'-0"



5 ELEVATION VIEW
1 3/8" = 1'-0"