

The TOP Shredder

Manual Table Top GS-1

Machine Features:

1. Shred 25+ pounds of cheese per minute
2. Machine accepts 8 pound blocks of cheese
3. All stainless steel construction
4. UL & NSF approved
5. No adjustments needed
6. Minimum Maintenance

Blade Options:

3/32" - 5/32" - 3/16" - 1/4" - 5/16" - 1/2"

* 1 Blade is included with machine order

Motor Options:

1.5 HP Machine 3 HP Machine

2 HP Machine 5 HP Machine

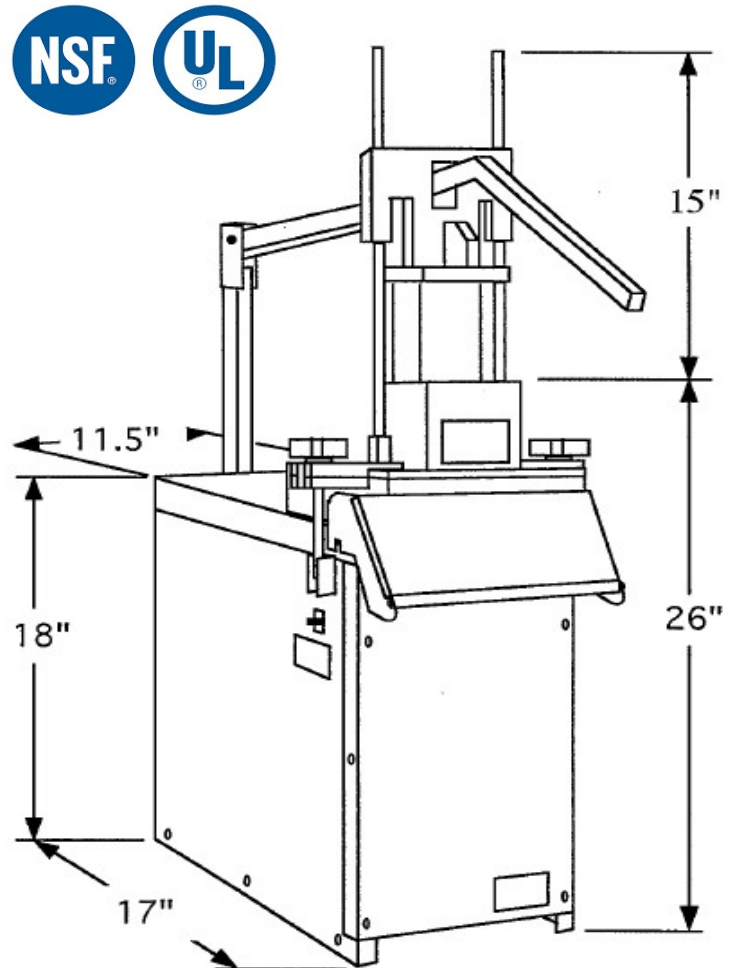
Machine Warranty:

90 Day Parts & Labor

1 year replacement or repair on motor

2 year replacement on sheet metal and casting parts
(except blades)

Table Top Manual Machine



Specification*:

Motor Options	Shred/Min	Depth	Width	Height	Weight	Volts	Amps	Phase
1.5 H.P. 60 Hz	25+ lbs.	23.5"	15"	41"	170 lbs.	115	15.2	1
2 H.P. 60 Hz	30+ lbs.	23.5"	15"	41"	170 lbs.	230	10	1
2 H.P. 60 Hz	30+ lbs.	23.5"	15"	41"	170 lbs.	208/230	10/7.2	3
3 H.P. 60 Hz	40+ lbs.	23.5"	15"	41"	190 lbs.	208/230	12/9.2	3
5 H.P. 60 Hz	50+ lbs.	23.5"	15"	42.5"	190 lbs.	208/230	15/13.2	3

Electical Requirements

1.5 HP Motor	115 Volts	20 amp outlet NEMA 5-20R	1 phase
2 H.P. Motor	220 Volts	15 amp outlet NEMA 6-15R	1 phase
2, 3 & 5 H.P. (3 Phase Motors)	208/230 volt	20 amp outlet NEMA L15-20R	3 phase

* Specifications subject to change without notice

The TOP Shredder

by: *ReddyMade*

Manual Floor Model GS-1

Machine Features:

1. Floor Model Kit can be added to any machine
2. Increase machine mobility
3. All stainless steel construction
4. No adjustments needed
5. Minimum Maintenance

Blade Options:

3/32" - 5/32" - 3/16" - 1/4" - 5/16" - 1/2"

* 1 Blade is included with machine order

Motor Options:

1.5 HP Machine 3 HP Machine

2 HP Machine 5 HP Machine

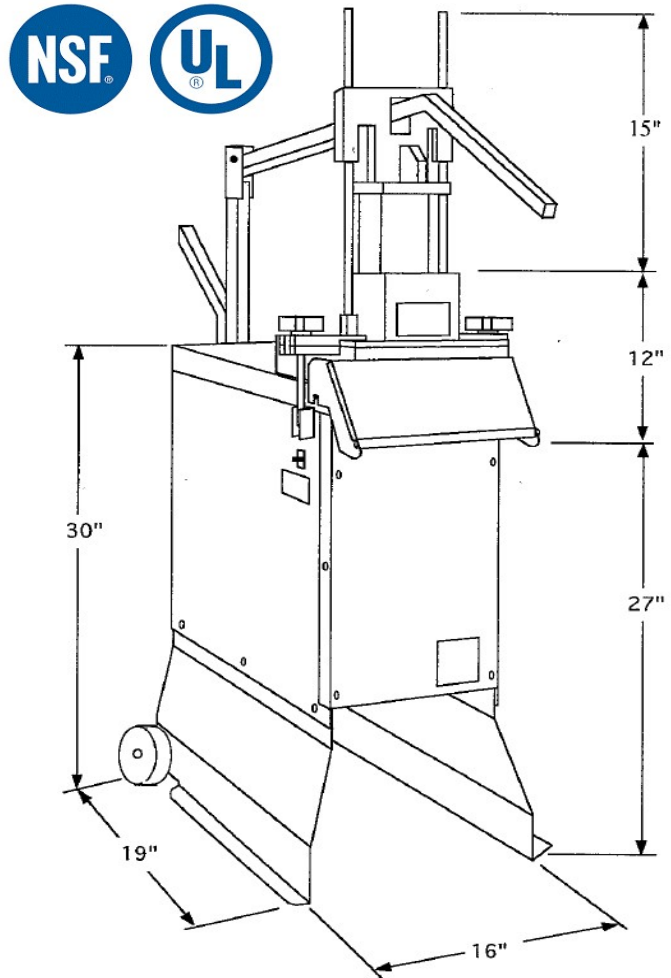
Machine Warranty:

90 Day Parts & Labor

1 year replacement or repair on motor

2 year replacement on sheet metal and casting parts (except blades)

Floor Model Manual Machine



Specification*:

Motor Options	Shred/Min	Depth	Width	Height	Weight	Volts	Amps	Phase
1.5 H.P. 60 Hz	25+ lbs.	23.5"	15"	41"	170 lbs.	115	15.2	1
2 H.P. 60 Hz	30+ lbs.	23.5"	15"	41"	170 lbs.	230	10	1
2 H.P. 60 Hz	30+ lbs.	23.5"	15"	41"	170 lbs.	208/230	10/7.2	3
3 H.P. 60 Hz	40+ lbs.	23.5"	15"	41"	190 lbs.	208/230	12/9.2	3
5 H.P. 60 Hz	50+ lbs.	23.5"	15"	42.5"	190 lbs.	208/230	15/13.2	3

Electical Requirements

2, 3 & 5 H.P. 3 Phase Motors 208/230 volt 20 amp outlet NEMA L15-20R 3 phase

* Specifications subject to change without notice

