

| | |
|----------------|-----------|
| PROJECT: | |
| MODEL #: | |
| ITEM #: | QTY: |
| AVAILABLE W/H: | APPROVAL: |

Bottom Mount Reach-In Refrigerator / Freezer



BSR23-HC / BSF23-HC



BSR49-HC / BSF49-HC



BSR72-HC / BSF72-HC

STANDARD FEATURES

Cabinet construction

- Stainless steel cabinet construction
Stainless steel interior and exterior (galvanized steel back & bottom).
- Cyclopentane Insulation – Contains no hydro-fluorocarbons (HFCs) and is environmentally friendly
- Epoxy coated wire shelves with adjustable shelving height.
- 4 shelves per compartment
- Four (4) 4" Diameter swivel casters with front brakes standard. Six (6) casters on three-door models of which two (2) have front brakes.
- Designed to accept full size roll-in racks for bun sheet pan (18"L x 26"D)

Refrigeration

- Hydrocarbon refrigerants (R-290) – increases energy efficiency by up to 25% compared to using HFC refrigerants. It is safer for the environment and does not cause ozone depletion.
- Self-contained system, top mounted compressor. Electrodeposition coated evaporator increases performance by maintaining the heat transfer rates over the life of the evaporator and reducing potential corrosion.

- Air guard on rear wall ensures proper air circulation and cooling.
- Rear mounted condensation pan
No condensation pan assembly required. Designed to prevent water over flow and increase ventilation.
- Innovative hot gas frame heating system reduces condensation and increases energy efficiency.
- Refrigerators have a temperature range between 29°F ~ 39°F
Freezers hold a temperature range between 5°F ~ -10°F

Doors

- Self closing doors (doors close at 90° or less)
- Automatic hold open door feature at 110°
- Durable door gasket with easy replacement.
- Lifetime guaranteed heavy duty all metal door handles. (Ni-Cr Plated)
- Door designed to open easily.
- Doors built with pressure relievers to eliminate vacuum pressure and allow easy door opening.
- Standard door locks

Design & Features

- Self-diagnostic digital temperature control & monitor system
- Digital display allows for easy monitoring
Digital controls include automatic evaporator fan motor delay.
- Rounded corner design gives a stylish appearance and reduces chances of injury. Visual and audible door open alarm, alarm sounds when doors are not completely closed to protect against food spoilage

Lighting

- LED Interior lighting.

Standard

- NSF/ANSI Standard 7 compliant

Connection

- 9 ft long flexible three wire cord with molded plug

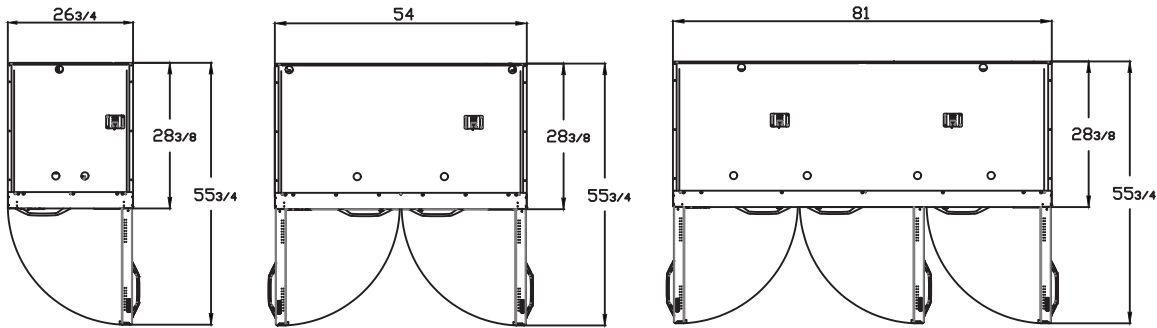
Optional Features & Accessories

- 2.5" diameter casters available
- 6" adjustable feet available
- Left hinged door available for single door models
- Additional shelves are available.

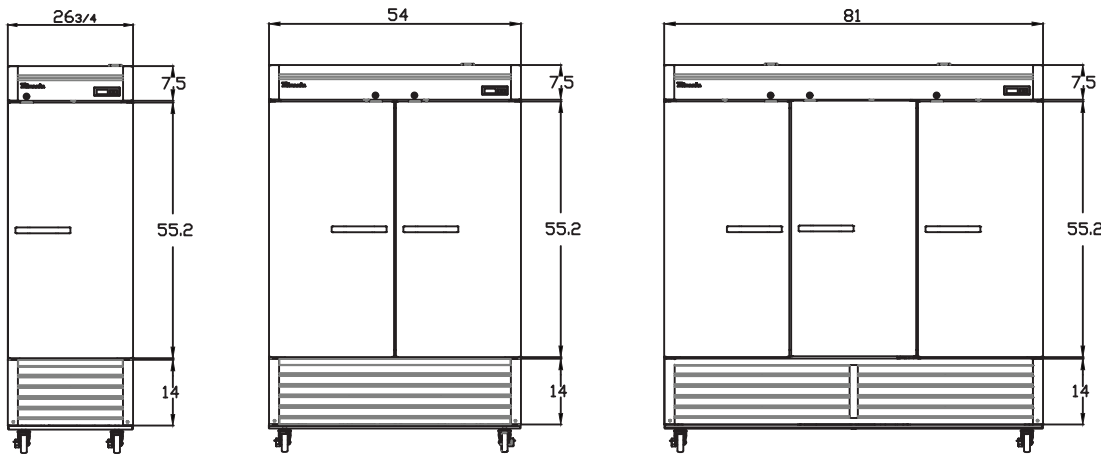
Bottom Mount Reach-In Refrigerator / Freezer

PRODUCT PLAN VIEW

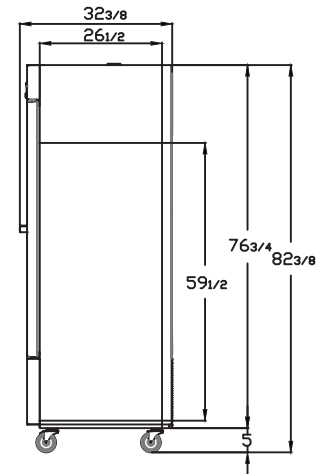
- Top View -



- Front View -



- Side View -



BSR23-HC
BSF23-HC

BSR49-HC
BSF49-HC

BSR72-HC
BSF72-HC

PRODUCT SPECIFICATION

Refrigerator

| Model | Product Description | | | Refrigerant | Temperature Range | | | Easy Maintenance | | | Cord Length (ft/m) | |
|----------|---------------------------|-------------------|---------|----------------------------------|-------------------|------------------|------|-------------------------|------|--------------|--------------------|-----------|
| | Bottom Mount Refrigerator | | | R-290 | 29°F ~ 39°F | | | Sliding Condensing Unit | | | 9.8ft (3m) | |
| | Doors | Capacity (Cu.Ft.) | Shelves | Cabinet Dimensions (inches / mm) | | | HP | Voltage | Amps | NEMA config. | Weight (lbs / kg) | |
| | | | L | D | H | Net Weight | | | | | Ship Weight | |
| BSR23-HC | 1 | 23 | 4 | 26 3/4" (681mm) | 32 3/8" (814mm) | 82 3/8" (2093mm) | 1/4+ | 115V / 60Hz | 2.0 | NEMA 5-15 | 238 (108) | 269 (122) |
| BSR49-HC | 2 | 49 | 8 | 54" (1372mm) | 32 3/8" (814mm) | 82 3/8" (2093mm) | 1/4+ | 115V / 60Hz | 2.4 | NEMA 5-15 | 373 (169) | 412 (187) |
| BSR72-HC | 3 | 72 | 12 | 81" (2057mm) | 32 3/8" (814mm) | 82 3/8" (2093mm) | 1/2 | 115V / 60Hz | 5.5 | NEMA 5-15 | 615 (279) | 653 (296) |

Freezer

| Model | Product Description | | | Refrigerant | Temperature Range | | | Easy Maintenance | | | Cord Length (ft/m) | |
|----------|----------------------|-------------------|---------|----------------------------------|-------------------|------------------|-----|-------------------------|------|--------------|--------------------|-----------|
| | Bottom Mount Freezer | | | R-290 | -10°F ~ 5°F | | | Sliding Condensing Unit | | | 9.8ft (3m) | |
| | Doors | Capacity (Cu.Ft.) | Shelves | Cabinet Dimensions (inches / mm) | | | HP | Voltage | Amps | NEMA config. | Weight (lbs / kg) | |
| | | | L | D | H | Net Weight | | | | | Ship Weight | |
| BSF23-HC | 1 | 23 | 4 | 26 3/4" (681mm) | 32 3/8" (814mm) | 82 3/8" (2093mm) | 1/2 | 115V / 60Hz | 5.6 | NEMA 5-15 | 251 (114) | 282 (128) |
| BSF49-HC | 2 | 49 | 8 | 54" (1372mm) | 32 3/8" (814mm) | 82 3/8" (2093mm) | 1/2 | 115V / 60Hz | 6.6 | NEMA 5-15 | 403 (183) | 437 (198) |
| BSF72-HC | 3 | 72 | 12 | 81" (2057mm) | 32 3/8" (814mm) | 82 3/8" (2093mm) | 1 | 115V / 60Hz | 9.9 | NEMA 5-15 | 626 (284) | 653 (296) |

*BLUE AIR has the right to change specifications without further notice.